

Pomeas TC Standard Telecentric Lens Series

PMS-05ST40

1. Support 1MP camera or below
2. Low distortion, high telecentricity and deep depth of field, more suitable for high precision positioning and measuring
3. Telecentric design
4. Support 1/2" sensor'
5. Standard C-Mount



Max.Sensor Size
1/2"

Magnification
0.5X

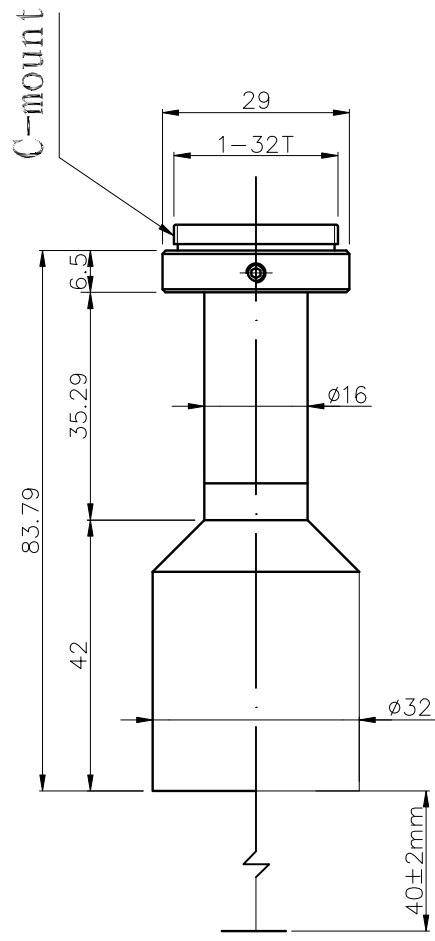
Working Distance
40mm


Resolution
6.7μm

C-Mount

Code		PMS-05ST40
Magnification		0.5X
Field of View	1/4"	6.4mm×4.8mm
	1/3"	9.6mm×7.2mm
	1/2.5"	11.5mm×8.6mm
	1/2.3"	12.3mm×9.2mm
	1/2"	12.8mm×9.6mm
Working Distance		40mm
Resolution		6.7μm
F.No.		5
TV Distortion		0.07%
Depth of Field*1		1.6mm
N.A.		0.05
Max.Sensor Size		1/2"
Mount		C-Mount
Illumination		--
Working Temperature		-10°C ~ +50°C

*1: Theoretical calculating value(based on diameter of defocused spots is 0.04mm),in the reality application, take its 1/2 will gain the best effect.



Unit:mm	Scale	1:1
 0.0 inch 1.0 0.0 mm 25.0	Name	PMS-05ST40
	Date	2012.7.20
POMEAS		