

## Pomeas TC Standard Telecentric Lens Series

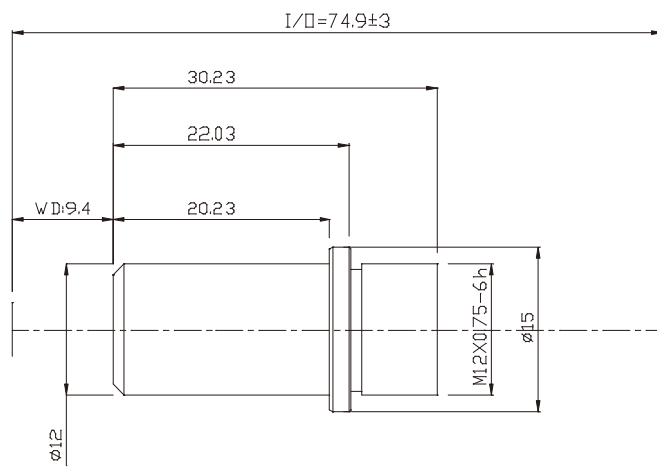
### PMS-GX10-94

1. Support 10 MP CCD camera or below
2. Low distortion, high telecentricity and deep depth of field, more suitable for high precision positioning and measuring
3. Telecentric design
4. Support 1/4" CCD
5. Standard C-Mount



Max.Sensor Size 1/4"	Magnification 10X	Working Distance 9.4mm	Resolution 1.20μm	C-Mount
-------------------------	----------------------	---------------------------	----------------------	---------

Code		PMS-GX10-94
Magnification		10X
Field of View	1/4"	0.32mm×0.24mm
	1/3"	--
	1/2.5"	--
	1/2.3"	--
	1/2"	--
Working Distance		9.4mm
Resolution		1.20um
F.No.		17.768
TV Distortion		0.06%
Depth of Field		0.014mm
N.A.		0.28
Max.Sensor Size		1/4"
Mount		C-Mount
Illumination		--
Working Temperature		-10°C~+50°C



Unit:mm	Scale	2:1
	Name	PMS-GX10-94
0.0    inch    1.0 	Date	2013.10.21
0.0    mm    25.0	<b>POMEAS</b>	