

Pomeas TC Standard Telecentric Lens Series

PMS-GX8-9.5

1. Support 2MP camera or below
2. Low distortion, high telecentricity and deep depth of field, more suitable for high precision positioning and measuring
3. Telecentric design
4. Support 1/3" sensor
5. Standard C-Mount



Max.Sensor Size
1/3"

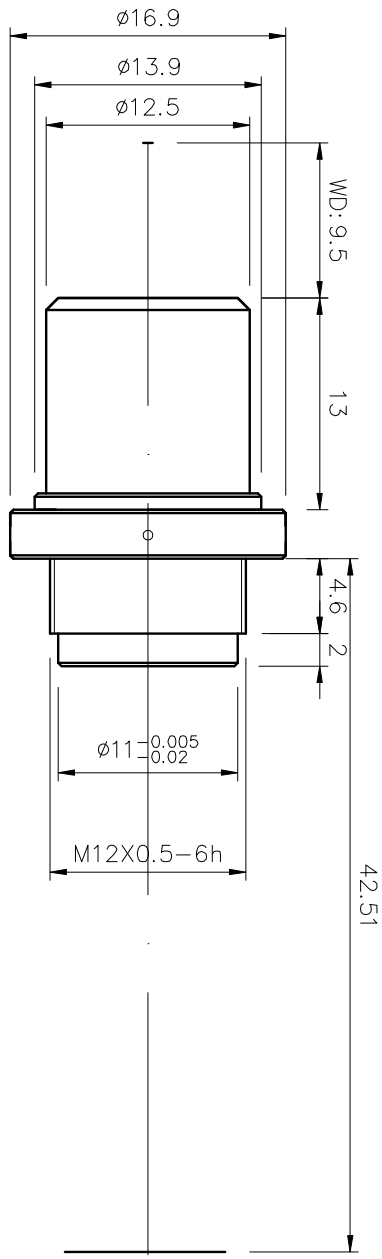
Magnification
8.0X


Working Distance
9.5mm

Resolution
1.1μm

C-Mount

Code		PMS-GX8-9.5
Magnification		8.0X
Field of View	1/4"	0.4mm×0.3mm
	1/3"	0.6mm×0.5mm
Working Distance		9.5mm
Resolution		1.1μm
F.No.		13.3
TV Distortion		0.07%
Depth of Field		0.017mm
N.A.		0.3
Max.Sensor Size		1/3"
Mount		C-Mount
Illumination		--
Working Temperature		-10℃~+50℃



Unit:mm	Scale	1:1
	Name	PMS-GX-9.5
0.0 inch 1.0	Date	2013.10.21
0.0 mm 25.0	POMEAS	