

6.5X Zoom Lens Series

PMS-Z65C-H12

1. Telecentric optical design. Magnification range: 0.7x-4.5x, magnification ratio is 6.5:1
2. Field of view: 2.444-15.714mm(based on 2/3"CCD)
3. Excellent performance, with high resolution, low distortion and super big N.A.
4. Compact design,easy assembly and installation.



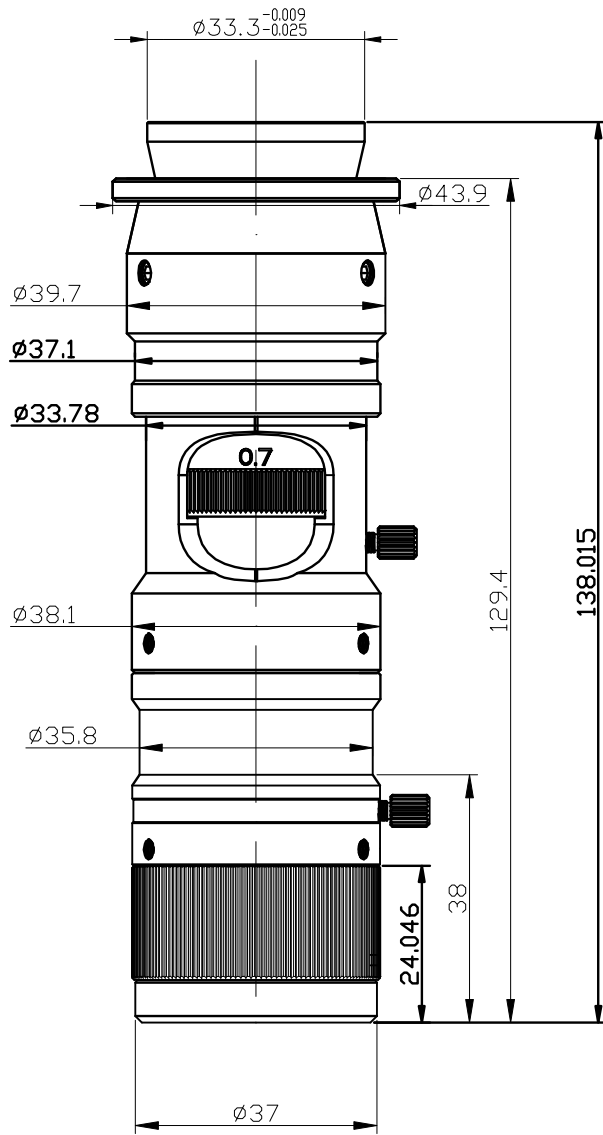
Function and Feature

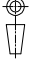


■ Fine-focus Device

- Seamless combination, for large range internal focusing: 3-12mm
- Precision mechanical structure Move smoothly
- Excellent sharp image

Code		PMS-Z65C-H12									
Type		12mm Fine Focus									
Optical Magnification Range		0.7X~4.5X									
Working Distance		90 ± 2mm									
Optical Magnification		0.7X	1.0X	1.5X	2.0X	2.5X	3.0X	3.5X	4.0X	4.5X	
Depth of View (mm)		1.9	0.952	0.44	0.29	0.23	0.16	0.13	0.12	0.1	
N. A.		0.03	0.042	0.06	0.07	0.07	0.085	0.085	0.085	0.085	
F.No.		11.6	2.1	12.5	14.2	17.8	17.6	20.5	23.5	26.5	
Resolution (um)		11.18	7.99	5.59	4.79	4.79	3.95	3.95	3.95	3.95	
TV Distortion		0.019%	0.035%	0.002%	0.003%	0.004%	0.001%	0.001%	0.002%	0.002%	
Field of View (DxHxV) (mm)	2/3"	15.71×12.57×9.43	11.00×8.80×6.60	7.33×5.87×4.40	5.50×4.40×3.30	4.40×3.52×2.64	3.67×2.93×2.20	3.14×2.51×1.89	2.75×2.20×1.65	2.44×1.96×1.47	
	1/2"	11.43×9.14×6.86	8.00×6.40×4.80	5.33×4.27×3.20	4.00×3.20×2.40	3.20×2.56×1.92	2.67×2.13×1.60	2.29×1.83×1.37	2.00×1.60×1.20	1.78×1.42×1.07	
	1/3"	8.57×6.86×5.14	6.00×4.80×3.60	4.00×3.20×2.40	3.00×2.40×1.80	2.40×1.92×1.44	2.00×1.60×1.20	1.71×1.37×1.03	1.50×1.20×0.90	1.33×1.07×0.80	
Max. Sensor Size		2/3"									
Mount		C-Mount									
Zoom Control		Manual Zoom									
Focus Control		12mm Fine Focus									



Unit: mm	Scale	1:1
 inch 1.0 0.0 25.0 mm	Name	PMS-Z65C-H12
	Date	2012.7.20
POMEAS		