

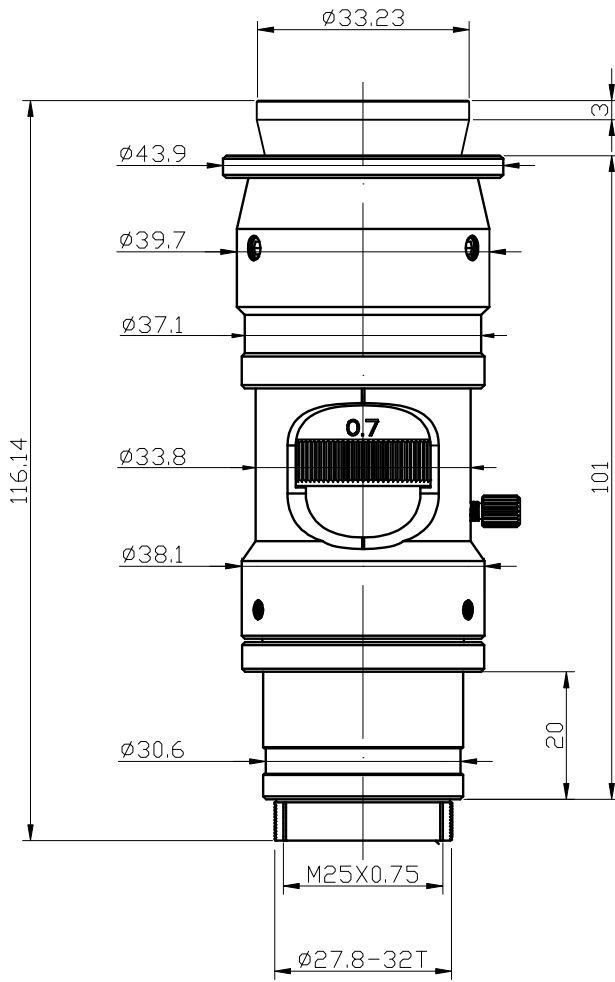
6.5X Zoom Lens Series


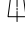
PMS-Z65C

1. Telecentric optical design. Magnification range: 0.7x-4.5x, magnification ratio is 6.5:1
2. Field of view: 2.444-15.714mm(based on 2/3"CCD)
3. Excellent performance, with high resolution, low distortion and super big N.A.
4. Compact design,easy assembly and installation.



Code		PMS-Z65C									
Type		Zoom Lens									
Optical Magnification Range		0.7X~4.5X									
Working Distance		90 ± 2mm									
Optical Magnification		0.7X	1.0X	1.5X	2.0X	2.5X	3.0X	3.5X	4.0X	4.5X	
Depth of View (mm)		1.9	0.952	0.44	0.29	0.23	0.16	0.13	0.12	0.1	
N. A.		0.03	0.042	0.06	0.07	0.07	0.085	0.085	0.085	0.085	
F.No.		11.6	2.1	12.5	14.2	17.8	17.6	20.5	23.5	26.5	
Resolution (um)		11.18	7.99	5.59	4.79	4.79	3.95	3.95	3.95	3.95	
TV Distortion		0.019%	0.035%	0.002%	0.003%	0.004%	0.001%	0.001%	0.002%	0.002%	
Field of View (DxHxV) (mm)	2/3"	15.71×12.57×9.43	11.00×8.80×6.60	7.33×5.87×4.40	5.50×4.40×3.30	4.40×3.52×2.64	3.67×2.93×2.20	3.14×2.51×1.89	2.75×2.20×1.65	2.44×1.96×1.47	
	1/2"	11.43×9.14×6.86	8.00×6.40×4.80	5.33×4.27×3.20	4.00×3.20×2.40	3.20×2.56×1.92	2.67×2.13×1.60	2.29×1.83×1.37	2.00×1.60×1.20	1.78×1.42×1.07	
	1/3"	8.57×6.86×5.14	6.00×4.80×3.60	4.00×3.20×2.40	3.00×2.40×1.80	2.40×1.92×1.44	2.00×1.60×1.20	1.71×1.37×1.03	1.50×1.20×0.90	1.33×1.07×0.80	
Max. Sensor Size		2/3"									
Mount		C-Mount									
Zoom Control		Manual Zoom									
Focus Control		--									



Unit: mm	Scale	1:1
	Name	PMS-Z65C
	Date	2012.2.21
0.0 inch 1.0 mm 25.0	POMEAS	